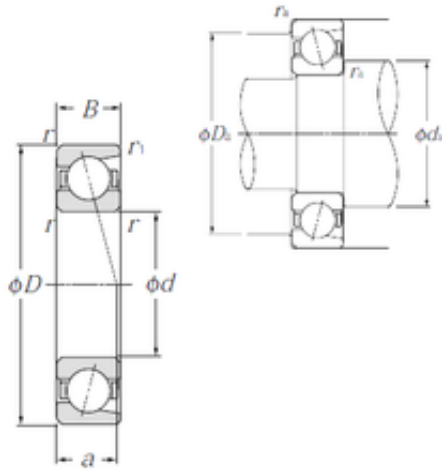




180 mm x 380 mm x 75 mm NTN 7336 angular contact ball bearings



Bearing No. 7336

Size	180x380x75 mm
Bore Diameter	180 mm
Outer Diameter	380 mm
Width	75 mm
d	180 mm
D	380 mm
B	75 mm
C	75 mm
Angle ( ° )	25 °
a	118 mm
r min.	4 mm
r1 min.	1,5 mm
da min.	198 mm
ra max.	3 mm
Weight	40,9 Kg
Basic dynamic load rating (C)	410 kN
Basic static load rating (C0)	535 kN
(Grease) Lubrication Speed	1 900 r/min

7336 Bearing 2D drawings and 3D CAD models