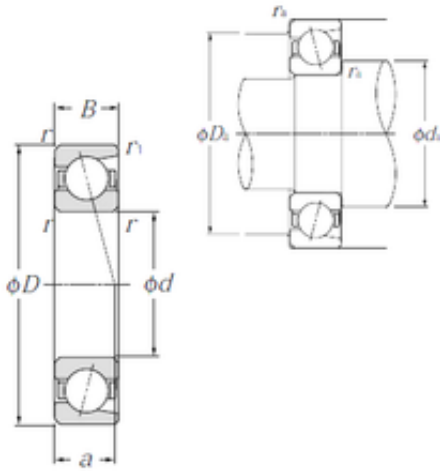




# BEARINGS IMPORTED AND EXPORTED CO.,LTD.

160 mm x 240 mm x 38 mm NTN 7032 angular contact ball bearings



Bearing No. 7032

Size	160x240x38 mm
Bore Diameter	160 mm
Outer Diameter	240 mm
Width	38 mm
d	160 mm
D	240 mm
B	38 mm
C	38 mm
Angle ( ° )	25 °
a	77 mm
r min.	2,1 mm
r1 min.	1,1 mm
da min.	172 mm
ra max.	2 mm
Weight	5,96 Kg
Basic dynamic load rating (C)	155 kN
Basic static load rating (C0)	176 kN
(Grease) Lubrication Speed	2 700 r/min
Category	Precision Ball Bearings
Inventory	0.0
Manufacturer Name	NTN
Minimum Buy Quantity	N/A
Weight / Kilogram	5.665
EAN	4547359435726
Product Group	B04270

7032 Bearing 2D drawings and 3D CAD models



## BEARINGS IMPORTED AND EXPORTED CO.,LTD.

Enclosure	Open
Precision Class	ABEC 5   ISO P5
Material - Ball	Steel
Number of Bearings	1 (Single)
Contact Angle	30 Degree
Preload	None
Raceway Style	1 Rib Outer Ring
Cage Material	Brass
Rolling Element	Ball Bearing
Flush Ground	No
Inch - Metric	Metric
Other Features	Single Row   Angular Contact
Long Description	160MM Bore; 240MM Outside Diameter; 38MM Width; Open Enclosure; ABEC 5   ISO P5 Precision; Steel Ball Material; 1 (Single) Bearings; 30 Degree Contact Angle; Brass Cage Material; 1 Rib Outer Ring Race
Category	Precision Ball Bearings
UNSPSC	31171531
Harmonized Tariff Code	8482.10.50.28
Noun	Bearing
Keyword String	Angular Contact Ball
Manufacturer URL	<a href="http://www.ntnamerica.com">http://www.ntnamerica.com</a>
Manufacturer Item Number	7032
Weight / LBS	12.478
Width	1.496 Inch   38 Millimeter
Outside Diameter	9.449 Inch   240 Millimeter
Bore	6.299 Inch   160 Millimeter