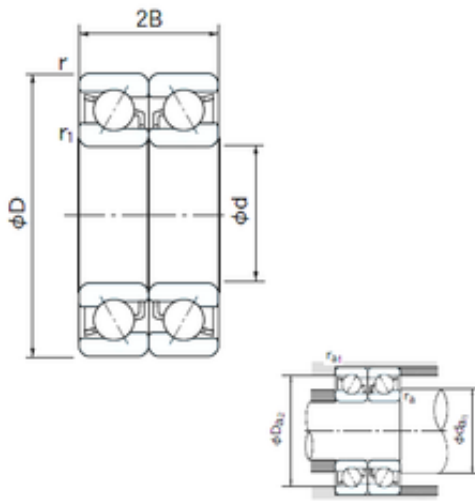




BEARINGS IMPORTED AND EXPORTED CO.,LTD.



7032CDB Bearing 2D drawings and 3D CAD models

160 mm x 240 mm x 38 mm NACHI 7032CDB
angular contact ball bearings

Bearing No. 7032CDB

Size	160x240x38 mm
Bore Diameter	160 mm
Outer Diameter	240 mm
Width	38 mm
d	160 mm
D	240 mm
B	38 mm
C	38 mm
Angle (°)	15 °
a	4.1 mm
r min.	2.1 mm
r1 min.	1.1 mm
2B	76 mm
da min.	169 mm
Da max.	234 mm
ra max.	1 mm
Weight	5.44 Kg
Basic dynamic load rating (C)	280 kN
Basic static load rating (C0)	390 kN
(Grease) Lubrication Speed	3200 r/min
Bore Type	Cylindrical Bore
Enclosure	Open
Configuration	Duplex
Bore Size	160 mm
Outside Diameter	240 mm



BEARINGS IMPORTED AND EXPORTED CO.,LTD.

Width	38 mm
Fillet Radius/Chamfer	2.1 mm
r1	1.1 mm
Dynamic Load Rating	280,000 N
Static Load Rating	390,000 N
Limiting Speed - Grease	3,200 rpm
Limiting Speed - Oil	4,400 rpm
da1 (min)	169 mm
da2 (min)	169 mm
Da1 (max)	231 mm
Da2 (max)	234 mm
ra (max)	2 mm
ra1 (max)	1 mm